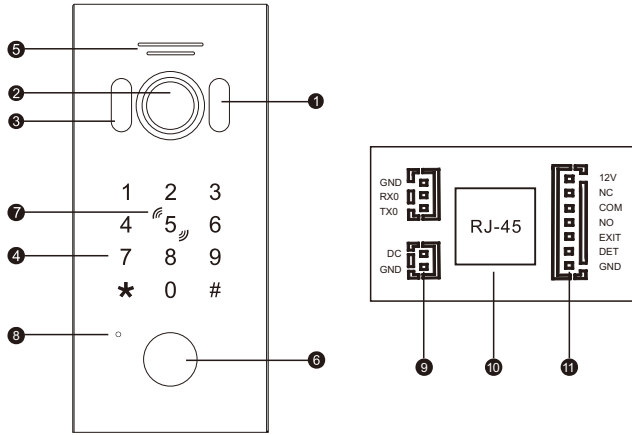


# **OPERATION INSTRUCTION**

## **STANDALONE WIFI DOORBELL**

User Manual

## SPECIFICATIONS



1	White light LED
2	Camera
3	Photosensitive resistance
4	Keypad
5	Speaker
6	Call button
7	Card area
8	Microphone
9	12V~15V DC in
10	RJ45 interface with PoE
11	Lock control

1

## PARAMETERS

- View angle: 120°
- Resolution: 1.3MP
- Night vision: White light LED(120°)
- Working current; voltage: 12~15V DC input; PoE,  
Working current standby ≥ 150mA, Working ≤ 300mA
- Working environment:  
Working temperature: -20°C~ +50°C  
Relative humidity: ≤ 95%
- Lock control interface

NO.	PIN	Definition	Function	Remark
J1	1	NO_DC12V (Brown)	E-lock power supply	Megnetic lock not supported
	2	NC(Orange)	Normal close	
	3	COM(Green)	Common	
	4	NO(Yellow)	Normal open	
	5	EXIT(Black)	Exit button	
	6	DET(White)	Door open status detection	
	7	GND(Red)	Ground	

## NETWORK SETTING

### Download App and register on it

- Please download the Tuya smart App on iOS system and Android system App store.
- Choose Tuya smart, and register a Tuya smart app account, please choose your country and region when registering.
- Log in Tuya smart App after registered.

2

## FUNCTIONS

This product function includes access control card RFID + access control controller + video and audio intercom, used in factories, homes, offices, banks and communities, etc.

- (1). The product can directly access Tuya cloud through wireless or network cable. When used with indoor units, all indoor units will receive calls when outdoor calls (this product must be connected to a router with DHCP function enabled).
- (2). The product includes keypad module and RFID module. The keypad module is used for the operation of the administrator mode. The RFID module is used to manage the operation of the user card.
- (3). Fill lights and call button LED backlight have light-sensitive response functions. During the day, the white fill lights and button LED backlight will not light up. At night, the LED button light is always on; when calling at night, the fill light automatically turns on to fill light.

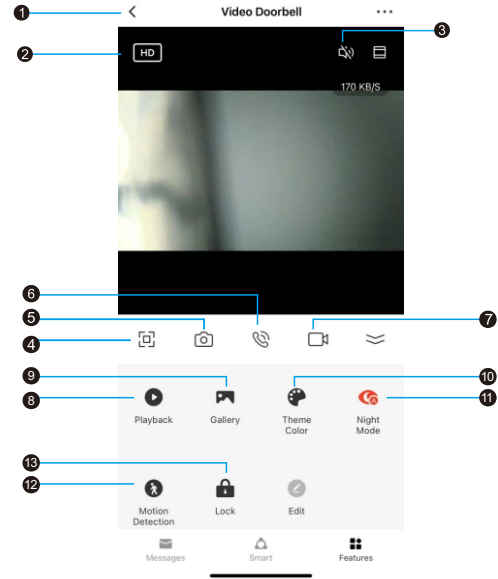
### 1. Add a device:

When the device starts, it will prompt its current mode is wired or wireless mode.

Wired mode: three didi beeps.

Wireless mode: seven didi beeps.

- (1). **Hang off (Back)**: during a call or monitoring process, click this key to exit the current interface.
- (2). **Resolution**: tab to switch between HD and SD.
- (3). **Loudspeaker**: You can hear the sound of the outdoor when it is turned on, and you cannot hear it when it is turned off. During monitoring, you cannot talk, so this function is invalid during monitoring status.
- (4). **Full screen**: display the image in full screen
- (5). **Capture**: During a call or monitoring, click this button to capture the image of the current screen.



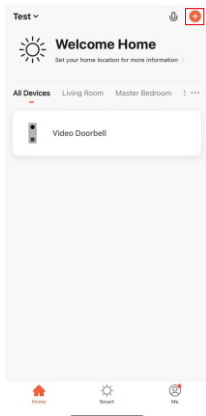
- (6). **Microphone**: When video doorbell call the mobile phone, after the mobile phone answers, click this button to turn on the microphone, the sound from the phone can be transmitted to the video doorbell. If it is not turned on, the video doorbell cannot hear the sound of the mobile phone.
- (7). **Record**: during a call or monitoring, click this button to record the current video.
- (8). **Playback**: When the video doorbell has an SD card and the record function on the APP is turned on, the video of each call or monitoring on the mobile phone can be viewed here. This feature is temporarily unavailable.

- (9). **Album:** During a call or monitoring, manually captured photos or manually recorded videos can be viewed here.
- (10). **Theme color:** you can change the APP theme color.
- (11). **Infrared night vision switch:** Because the door phone adopts LED white fill light, this function is temporarily unavailable.
- (12). **Motion detection:** To enable motion detection function. This function is temporarily unavailable.
- (13). **Door phone unlock button:** During a call or monitoring, click this button to open the door lock connecting with video doorbell.

## 2. Three ways to connect TuyaSmart App:

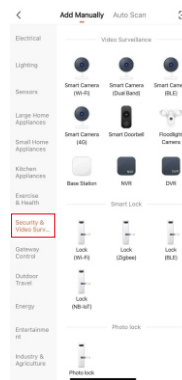
- (1). Wireless mode QR code binding

- ①. Press + button (picture 1).

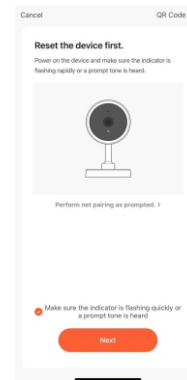


picture 1

- ②. Choose Security & video surveillance – Smart Doorbell (picture 2).
- ③. Press next (picture 3).

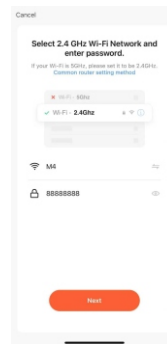


picture 2

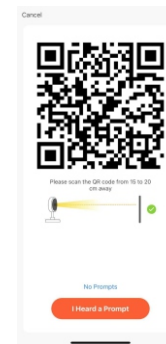


picture 3

- ④. Input the WiFi name and password that your phone is connecting (picture 4).
- ⑤. System generate QR code (picture 5).



picture 4



picture 5

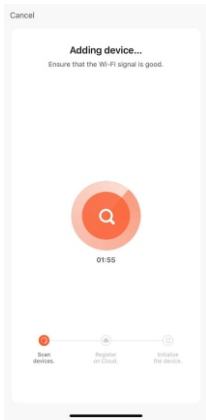
- ⑥. Video doorbell scan the QR code, when heard the video doorbell beeps di di di, it succeed (picture 6).



picture 6

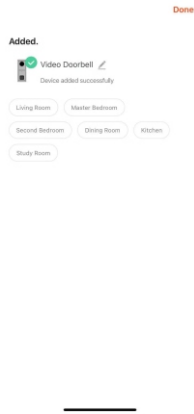
- ⑦. Waiting for connected (picture 7).

- ⑧. Done (picture 8).



picture 7

7

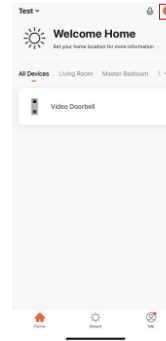


picture 8

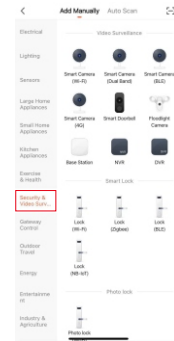
- (2). Wired mode network cable binding

- ①. Press + button (picture 9).

- ②. Choose Security & video surveillance – Smart Doorbell (picture 10).



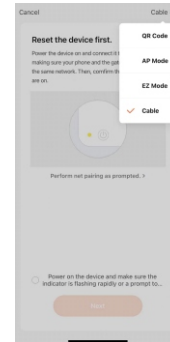
picture 9



picture 10

- ③. Choose “Cable” on top right, mobile and video doorbell connect to the same network (picture 11).

- ④. Search and connect to device (picture 12).



picture 11

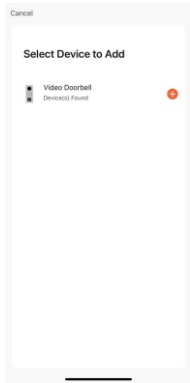


picture 12

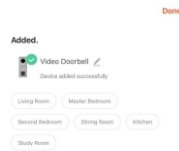
8

⑤. Press + to add the searched device (picture 13).

⑥. Done (picture 14).



picture 13



picture 14

## ADMINISTRATOR OPERATION

### 1. The default settings are as follows

The initial administrator password is 999999. Initial public unlock password is 123456.

The default door opening method is card opening.

The default unlock time is 2 seconds.

The safe mode is off by default.

The public unlock password is enabled by default.

### 2. Enter the administrator operation mode:

#### \* + Administrator Password + #

In standby mode, press \* + administrator password (initial administrator password is 999999) + # to enter the administrator operation mode. At this time, the device Bi Bi-beeps twice and the call button flashes slowly, means entered administrator operation mode successfully.

In setting progress, if input is incorrect or the setting fails, the device will Bi Bi Bi Bi beeps four times. After setting done, if no more operations, the device will Bi Bi Bi beeps three times after 30 seconds, means automatically exit administrator operation mode.

#### Notice:

Press \* button during any of the following settings can return to the previous level or exit the operating mode.

### 2.1 Modify administrator password, public unlock password and reset the device.

#### 2.1.1 Public unlock password

##### 0 + 11+ # +New Password + # +Confirm Password+ #

Under administrator operation mode, press 0 (Call button light flash fast) +11 + # NNNNNN (six digits)+ # + NNNNNN (input password again) + #, the device Bi Bi beeps twice means set successfully.

#### How to use the public unlock password:

Input public unlock password on the keypad + #, if password correct then door will be unlocked.

### 2.1.2 Administrator password

#### 0 + 77 + # + New Adm Password + # + Confirm Administrator Password + #

Under administrator operation mode, press 0 (Call button light flash fast) + 77 + # NNNNNN (six digits) + # + NNNNNN (input password again) + #, the device Bi Bi beeps twice means set successfully.

### 2.1.3 Reset

Under administrator operation mode, press 0 (Call button light flash fast) + 99 + # (Bi beeps one time), device restored to factory setting.

#### Notice:

Reset the device will not delete user card, user password info and master card.

### 2.2 Setup unlock mode

#### (1). 3 + 00 + #

Under administrator operation mode, press 3 (Call button light flash fast) + 00 + # (Bi Bi beeps twice) -----The card unlock only.

#### (2). 3 + 01 + #

Under administrator operation mode, press 3 (Call button light flash fast) + 01 + # (buzzer with two times Bi Bi)-----The card or password unlock.

#### (3). 3 + 02 + #

Under administrator operation mode, press 3(Call button light flash fast) + 02 + # (buzzer with two times Bi Bi)-----The card and password unlock.

### 2.3 Modify the unlock time of relay

Under administrator operation mode, press 4 (Call button light flash fast) + 000~150(unlock time) + # (buzzer with two times Bi Bi means set successfully)

#### (1). 4 + 002 + #

Under administrator operation mode, press 4 (Call button light flash fast) + 002 + # (Bi Bi beeps twice means set successfully). Unlock time set to

2s, and so on.

#### (2). 4 + 000 + #

Under administrator operation mode, press 4 (Call button light flash fast) + 000 + # (Bi Bi beeps twice means set successfully). This setting means first swipe card is on; swipe the card again is off.

### 2.4 Safety mode setup

#### (1). 5 + 00 + #

Under administrator operation mode, press 5 (Call button light flash fast) + 00 + # (Bi Bi beeps twice) -----Turn off safety mode.

#### (2). 5 + 01 + #

Under administrator operation mode, press 5 (Call button light flash fast) + 01 + # (Bi Bi beeps twice) -----Locked mode. (Means within 5 minutes, continue use wrong card or incorrect password for 10 times, the device will be locked out for 2 minutes, and automatically call indoor monitor(if has). During this two minutes card and password won't work.

#### (3). 5 + 02 + #

Under administrator operation mode, press 5 (Call button light flash fast) + 02 + # (( Bi Bi beeps twice ) )-----Alarm mode ( Means within 5 minutes, continue to use wrong card or incorrect password for 10 times, the built in buzzer will alarm for 1 minute, and automatically call indoor monitor(if has).

### 2.5 Enable and disable public unlock password

#### (1). 6 + 00 + #

Under administrator operation mode, press 6 (Call button light flash fast) + 00 + # (Bi Bi beeps twice )----- Disable public unlock password.

#### (2). 6 + 01 + #

Under administrator operation mode, press 6 (Call button light flash fast) + 01 + # (Bi Bi beeps twice ) ----- Enable public unlock password.

## 2.6 Add master card

### 7 + #

Under administrator operation mode, press 7 (Call button light flash fast) + # (Bi Bi beeps twice ) to enter add master card mode, the first card registered in this mode will become Add Card Master Card, second card registered in this mode will become Delete Card Master Card. After swipe two cards, administrator operation mode will be exited automatically.

#### Notice:

Only two pcs master card allowed, both master cards are capable to unlock. New added master card will replace the original master card.

## 2.7 Switch wired/wireless mode

### 8 + 22 + #

Under administrator operation mode, press 8 (Call button light flash fast) + 22 + # (Bi Bi beeps twice ) to switch its working mode.

## 2.8 Switch language

### 9 + 01 + #

Under administrator operation mode, press 9 (call button light flash fast) + 01 (Language Sequence Number) + # (Bi Bi beeps twice) ----- Switch video doorbell language successfully.

(00 = Russian 01 = English 02 = Chinese 03 = Spanish 04 =Turkish 05 = Portuguese 06 =Germen 07 =French 08 = Italian 9 = Bulgarian 10 = Farsi).

## MANAGE USER CARD

There are two master cards, one is Add Master Card, another one is Delete Card Master Card (For modification of master card please refers to administrator operation point 6). User card can only managed by master card.

#### Notice:

- (1). Master card can't be deleted, it can only be replaced by new adding master card.
- (2). The master card and user card registered in door station 1 can't unlock other door station. If user wants the card to unlock every door, user should register the card at every door station.

### 1. Add user card

- (1). In standby mode, swipe add card master card 3 times within 15 seconds, call button light flash fast means entered add user card mode successfully.
- (2). Swipe the unregistered blank card in RFID read area, when video doorbell buzzer with "Bi Bi" sound means this card is added successfully.
- (3). If all user cards have been added, or user want to stop adding, just swipe add card master to end the add user card operation. (If no more operations, it will exit add user card mode automatically after 30s), at this time the call button back light always on and the device returns to the standby state.

### 2. Delete user card

#### 2.1 Delete part of user card

- (1). In standby mode, swipe delete card master card 3 times within 15 seconds, call button light flash fast means entered delete user card mode successfully.
- (2). Swipe a registered user card on RFID read area, when buzzer with "Bi Bi" sound means this card is deleted successfully. mode successfully.
- (3). If all user cards have been deleted, or user want to stop delete card, just swipe delete card or keep press the call button to exit delete user



card mode. (If no more operations, it will exit delete user card mode automatically after 30s), at this time the call button light always on and the device returns to the standby state.

## 2.2 Delete all user cards

- (1). In standby mode , swipe delete card master card 3 times within 15 seconds, call button light flash fast means entered delete user card mode successfully.
- (2). Under delete user card mode, swipe add card user card, buzzer with 7 times BI..... then delete all user cards and back to standby mode.

## USER OPERATIONS

### 1. User modify password by card:

**\* + User Card + old Password + # + New Password + # + Confirm Password + #**

In standby mode, press \* + swipe card +old password (default user password 0000) + # + NNNN (4 digits as new password) + # + NNNN (Input password again) +#, if no mistake on operation, then the video doorbell will beep Bi one time, means password modified successfully.

#### Notice:

Default user password can only use for first time modify user password, it can't be used for unlock.

### 2. Card access to unlock

In standby mode, swipe valid registered card at the RFID read area, can unlock the door and hear the indicate voice "The door is open, please come in".

### 3. Card or password unlock

- (1). In standby mode, swipe valid registered card at the card read area, can unlock the door and hear the indicate voice "The door is open, please come in".
- (2). In standby mode, input 4 digit user password at keypad + #, if password is right then unlock successfully and hear the indicate voice "The door

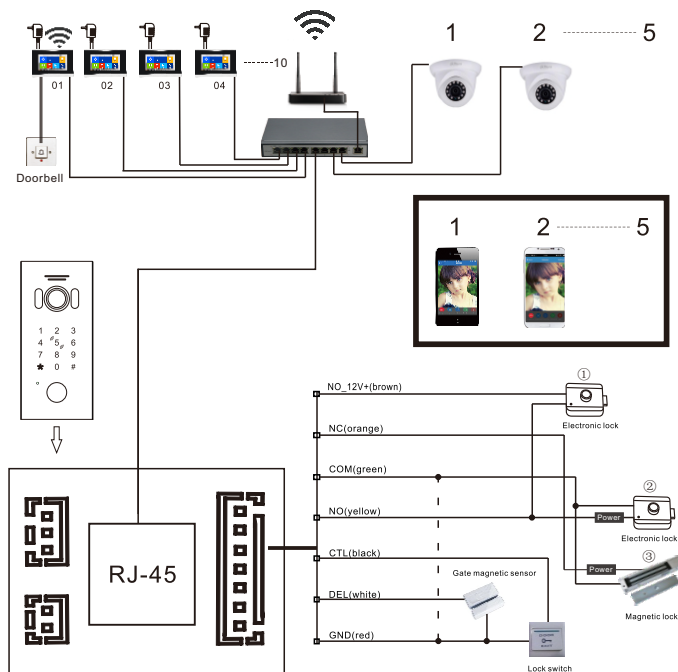
is open, please come in".

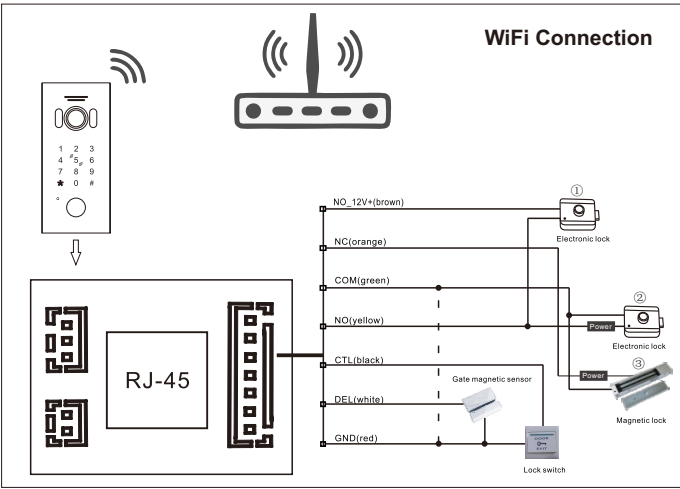
### 4. Card and password unlock

In standby mode, swipe valid registered card at the RFID read area, input 4 digit user password at keypad + #, if both card and password are valid can unlock the door and hear the indicate voice "The door is open, please come in".

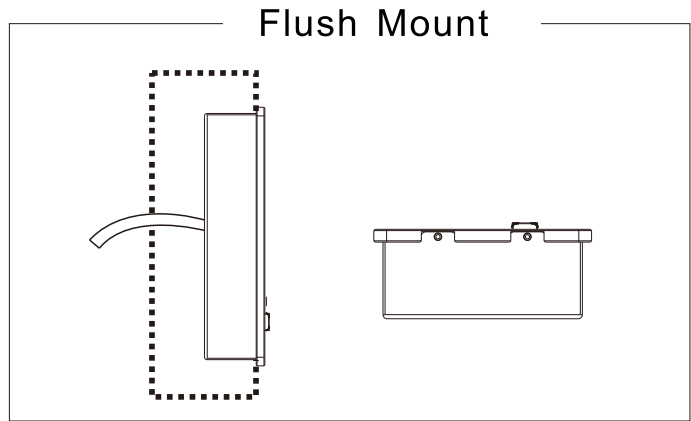
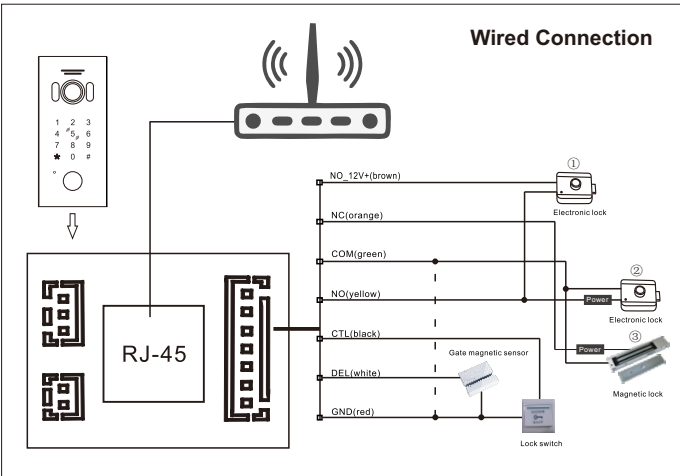
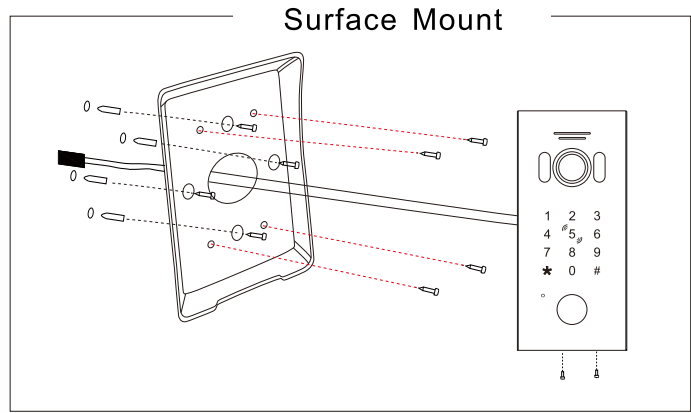
## WIRING DIAGRAM

### Indoor monitor as an option

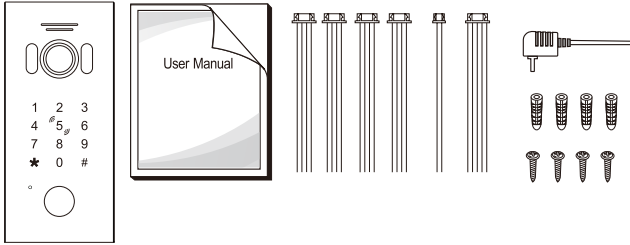




## INSTALLATION DIAGRAM

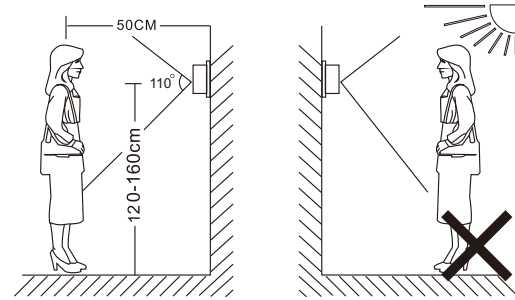


## ACCESSORIES



- Outdoor unit ----- 1PCS
- Plastic Anchors ----- 4PCS
- Screws ----- 4PCS
- 5 pin line ----- 1PCS
- 4 pin line ----- 4PCS
- 2 pin line ----- 1PCS
- User manual ----- 1PCS
- Power adapter ----- 1PCS

## INSTALLATION PROCESS OF DOOR STATION



### ⚠ NOTE:

- Avoid installation of the device near strong radiation e.g. AC motor and lift.
- Maintenance should be complied with qualified technician.
- Avoid hard shake, beating and collision, otherwise the internal exact components maybe be damaged.
- Do not expose the outdoor camera under strong light or sunshine.
- Do not install the outdoor camera in the environment e.g. direct sunlight, contact rain, high temperature, high humidity, full of dust and chemistry corrosive.
- Select the most suitable position where the camera is located at user's eye level.
- Switch off power supply before installation.
- Keep more than 30cm away from AC power supply to avoid external interference.
- Keep it away from the water and magnetic field.